



# DC AirCube

DC AirCube – the air cleaners that deal with hazardous airborne dust before it reaches your lungs.

Healthy Business

**Dustcontrol**®

## Air Cleaner

# DC AirCube 500

DC AirCube 500 has been developed for ease of use and durability. The fan unit is a radial blower which is especially designed to build up high pressure across its entire flow range. This means that the unit generates a large amount of air flow during the entire lifetime of the filter. An exhaust hose can be used to create negative pressure in a sealed room. The fan has two speed settings, which means that the unit can be run economically, for example during the night.

### Supplied with (Part No)

HEPA H13 filter (42692)  
Pre-filter (42690)

### Part No DC AirCube 500

112500	230V /50Hz, EU
112501	230V /50Hz, UK
112503	115V /50Hz, UK
112508	230V /50Hz, CH
112505	115V /60Hz, US/CAN
112509	230V /50Hz, AU



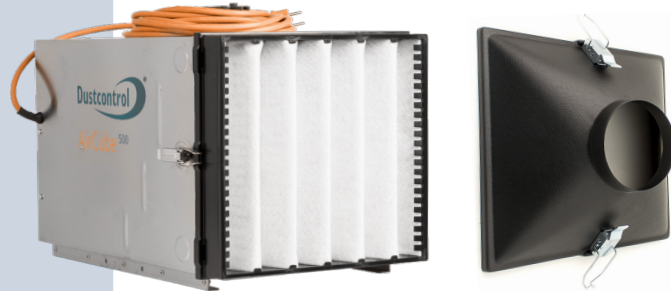
DC AirCube 500 and  
Funnel connection

### Technical data

HxWxD [mm/in]	380x340x495/ 15x13.4x19.5
Weight [kg/lb]	13/28.7
Inlet Ø [mm/in]	380x340/15x13.4
Outlet Ø [mm/in]	125/5
Flow max, open inlet 115V [m³/h/cfm]	470/276
Flow max, open inlet 230V [m³/h/cfm]	500/294
Power, fan 115/230 [W]	195/210
Pre-filter area [m²/ft²]	0.18/1.9
HEPA filter area [m²/ft²]	4.56/49
Filter class	H13
Sound level [dB(A)]	45-65

### Accessories (Part No)

Hose 125 (2420)  
Funnel connection (42753)  
Hose clamp (4138)  
Roof bracket (42724)



## No one knows more about dust than we do.

After more than 40 years in the industry, we at Dustcontrol have learned everything there is to know about dust and about what is needed to prevent it from reaching your lungs. As a result, all our air cleaners are equipped with HEPA H13 filters that capture the smallest and most hazardous particles.

### You cannot see the most hazardous dust

Dustcontrol's high-efficiency air cleaners – DC AirCube – are designed to separate dust and particles even smaller than 0.3 µm. These particles are so small that they are not visible with the naked eye, yet they cause major damage because they find their way far down into the lungs. One example is silica dust, which is spread when working with concrete, brick, plaster and mortar.



## Air Cleaner

# DC AirCube 1200

The DC AirCube 1200 is a highly efficient and robust air cleaner with the ability to clean the air even in large rooms, at a rate of up to 1060 m<sup>3</sup>/h /624 cfm. The encapsulated fan housing contains a radial blower type fan that builds up high pressure across its entire flow range, which provides effective air cleaning for the entire lifetime of the filter. The speed of the fan is also continuously variable in order to save energy. The DC AirCube 1200 is equipped with both a HEPA H13 filter that captures the smallest particles and a light that indicates when it is time to replace the filter.

### Part No DC AirCube 1200

111000	230V /50Hz, EU
111001	230V /50Hz, UK
111002	115V /50Hz, UK
111008	230V /50Hz, CH
111003	115V /60Hz, US/CAN
111009	230V /50Hz, AU



### Supplied with (Part No)

HEPA H13 filter (42940)  
Pre-filter (42918)

### Accessories (Part No)

Hose kit (42657)  
Bend 90° (42660)

### Technical data

HxWxD [mm/in]	869x458x598/ 35x18x23.5
Weight [kg/lb]	23/51
Inlet/Outlet Ø [mm/in]	250/315 9.8/12.4
Power, fan 115/230 [W]	375/385
Flow max, open inlet 230V [m <sup>3</sup> /h/cfm]	1060/624
Pre-filter area [m <sup>2</sup> /ft <sup>2</sup> ]	0.40/4.3
HEPA filter area [m <sup>2</sup> /ft <sup>2</sup> ]	5/54
Filter class	H13
Sound level [dB(A)]	60-68

# DC AirCube 2000

With a capacity of approximately 1.850 m<sup>3</sup>/h /1089 cfm the DC AirCube 2000 is the Dustcontrol's most powerful cleaner. The DC AirCube 2000 has a robust, stainless-steel chassis and an encapsulated fan with variable speed setting. With its ergonomic design, it is easy to carry and transport. It can also be operated when positioned horizontally.

The DC AirCube 2000 has a HEPA H13 filter with an area totalling 10 m<sup>2</sup> /107 ft<sup>2</sup>. An integrated light indicates when it is time to replace the filter.

### Part No DC AirCube 2000

102000	230V /50 Hz, EU
102002	230V /50 Hz, UK
102003	115V /50 Hz, UK
102008	230V /50 Hz, CH
102004	115V /60 Hz, US/CAN
102009	230V /50Hz, AU



### Supplied with (Part No)

HEPA H13 filter (42896)  
Pre-filter (42917)

### Accessories (Part No)

Hose kit (42657)  
Bend 90° (42660)

### Technical data

HxWxD [mm/in]	1019x512x547 /40x20x21.5
Weight [kg/lb]	30/66
Inlet/Outlet Ø [mm/in]	315/315 12.4/12.4
Power, fan 115/230 [W]	375/750
Flow max, open inlet 230V [m <sup>3</sup> /h/cfm] max	1850/1089
Pre-filter area [m <sup>2</sup> /ft <sup>2</sup> ]	0.5/5.4
HEPA filter area [m <sup>2</sup> /ft <sup>2</sup> ]	10/107
Filter class	H13
Sound level [dB(A)]	60-68



# Whichever model you choose, you'll make the right choice.

Which of our air cleaners meets your particular needs will depend on the environment in which you work and how large the room is. Regardless which one you choose, you can be sure of getting a heavy-duty professional machine with a HEPA filter.



## Technical data

	DC AirCube 500	DC AirCube 1200	DC AirCube 2000
HxWxD [mm/in]	380x340x495/15x13.4x19.5	869x458x598/ 35x18x23.5	1019x512x547 /40x20x21.5
Weight [kg/lb]	13/28.7	23/51	30/66
Inlet Ø [mm/in]	380x340/15x13.4	250/9.8	315/12.4
Outlet Ø [mm/in]	125/5	315/12.4	315/12.4
Power, fan 115/230 [W]	195/210	375/385	375/750
Flow max, open inlet 115V [m³/h/cfm]	470/276		
Flow max, open inlet 230V [m³/h/cfm]	500/294	1060/624	1850/1089
Pre-filter area [m²/ft²]	0.18/1.9	0.40/4.3	0.5/5.4
HEPA filter area [m²/ft²]	4.56/49	5/54	10/107
Filter class	H13	H13	H13
Sound level [dB(A)]	45-65	60-68	60-68



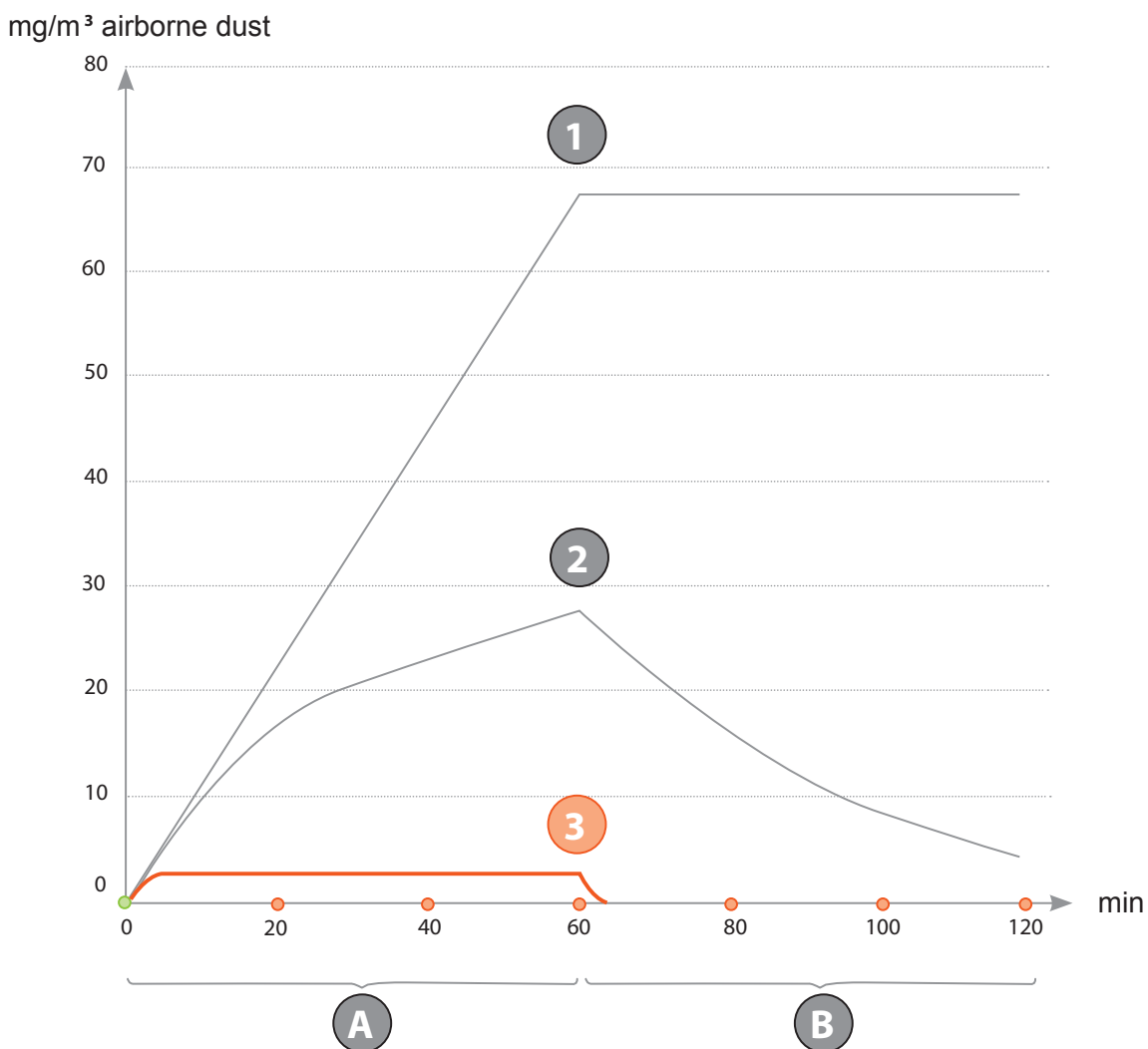
Filtration class IEC/EN 60335-2-69  
Dust class H (degree of permeability  $\leq 0.005\%$ ) for particles as small as  $0.1 \text{ mg/m}^3$  and carcinogenic particles.  
According to IEC/EU 60335-2-69

# Example: a bathroom

Renovating a bathroom produces airborne dust that is hazardous to health.

The following graph shows the effect of reducing the concentration of the dust ( $\text{mg}/\text{m}^3$ ) with a DC AirCube 500 air cleaner.

The example pertains to a bathroom measuring  $2 \times 3 \times 2.5 \text{ m}$  ( $15 \text{ m}^3$ ) to which  $1000 \text{ mg}/\text{h}$  of airborne dust is added over a period A (60 mins). No pollutants are added during period B (60 mins).

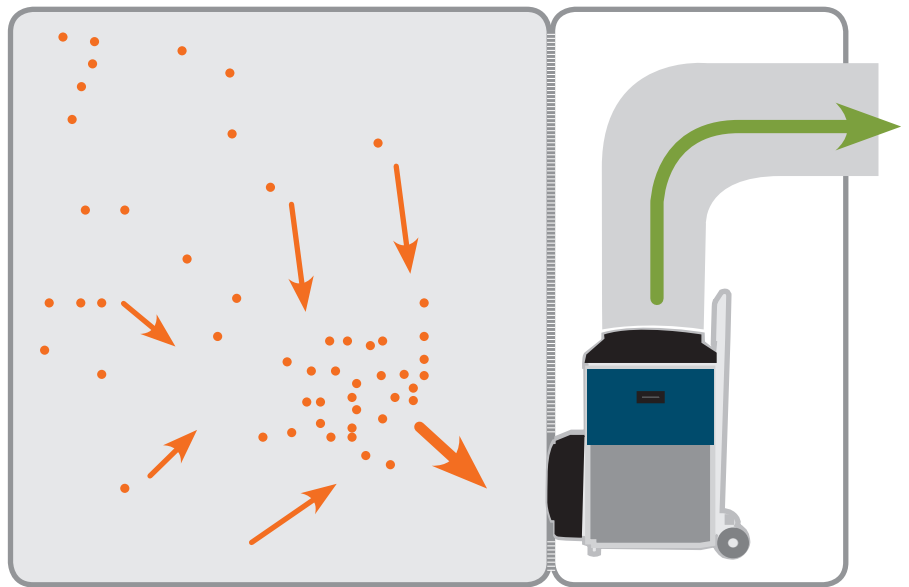


- ① No ventilation whatsoever in the room
- ② General ventilation with 2 air changes per hour ( $30 \text{ m}^3/\text{h}$ )
- ③ Use of air cleaner where  $Q = 400 \text{ m}^3/\text{h}$
- Ⓐ 1000  $\text{mg}/\text{h}$  of airborne dust is added during period A
- Ⓑ No pollutants are added during period B

# Evacuation

## Plastic sheet/Wall

The DC AirCube can be used for the evacuation of air via a hose. A negative pressure for dust containment can also be generated in this way.



Work room

Clean side





## Accessories/Consumables

DC AirCube 500

DC AirCube 1200 and DC AirCube 2000

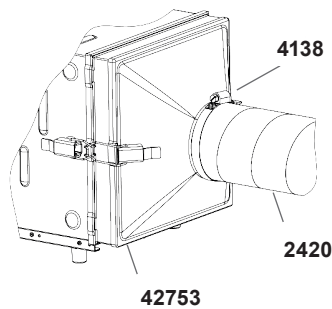
Hose Ø125 mm Part No 2420

Funnel connection Ø125 mm Part No 42753

Hose clamp Part No 4138

Hose kit No 42657

Bend 90° Part No 42660



## Consumables

DC AirCube 500

DC AirCube 1200

DC AirCube 2000

Pre-filter G4 Part No 42690

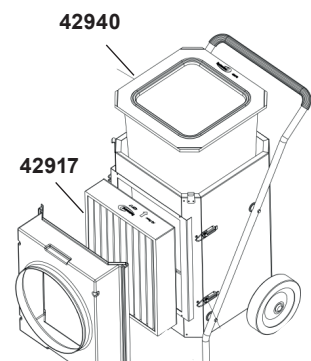
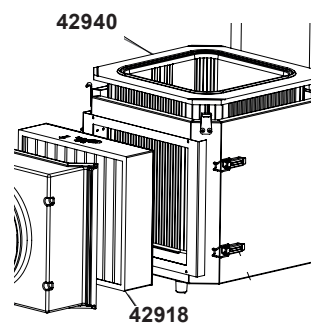
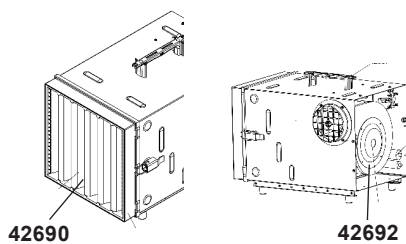
Pre-filter G4 Part No 42918

Pre-filter G4 Part No 42917

HEPA H13 Filter Part No 42692

HEPA H13 Filter Part No 42940

HEPA H13 Filter PartNo 42896



# FAQ

## Why is an air cleaner necessary?

Various studies by the building industry, for example, show that the threshold values for hazardous particles in the air are constantly being exceeded, resulting in an unhealthy working environment. A fear of hazardous dust also means that many customers avoid carrying out necessary renovation work. An air cleaner separates the dust effectively and protects both employees and customers.

## Is a good dust extractor not enough?

Handheld grinding, cutting and milling tools are some of the major reasons for the spread of dust. A dust extractor with source extraction should always be used during such operations. However, the dust extractor is not able to capture all the particles, in particular those that originate from other diffuse dust sources. The best approach is therefore to use both dust extractors and air cleaners.

## Why a HEPA H13 filter?

Hazardous airborne particles, such as silica dust on a construction site, moulds and also flour dust in a bakery, can be encountered as a course of daily working practices. To protect against such particles, you should use a HEPA H13 filter with a degree of separation of not less than 99.995%.

## Which air cleaner should I choose?

A basic rule is to multiply the number of cubic metres in a room by 10. For example: If you have a room measuring 40 m<sup>3</sup> you will need an air cleaner with a capacity of 10 times 40, i.e. 400 m<sup>3</sup>. A DC AirCube 500 will be sufficient in this case.

## Which areas of work?

• Building environments – in particular decontamination, demolition work, chiselling operations, clearance of fire and water damage, bathroom renovation, replacement of old soundproofing and insulation material, sanding plaster and concrete, mixing concrete and filler, removing old adhesive and jointing compound, etc.

- Bakeries
- Food industry
- Carpentry workshops
- Public buildings, e.g. museums

## How hazardous is the dust?

The various airborne and breathable types of dust, for example silica dust, can cause serious damage to the health which can lead to silicosis and cancer. Breathable dust denotes dust particles that have a size smaller than 5 µm. They end up in the lungs, where they cause damage. These are the most hazardous particles, and they are also more difficult to separate than larger particles.

For further advice, contact your local Dustcontrol representative.



Dustcontrol AB  
info@dustcontrol.se

[www.dustcontrol.co.uk](http://www.dustcontrol.co.uk)

Healthy Business  
**Dustcontrol**®